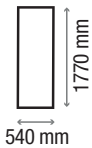




# PFBI FRIGO

Ref. 010336

Frigorífico de integración panelable  
Built-in refrigerator for overlay decor panel



294 L  
Capacidad  
Capacity



Bisagra profesional.  
Puerta Fija  
Professional hinge.  
"Door-on-Door"



294 L  
Natural  
Flow Cooling



## Características / Features

|                                |                              |                  |
|--------------------------------|------------------------------|------------------|
| Dimensiones producto (AlxAnxF) | Product size (HxWxD)         | 1770x540x545 mm  |
| Total Volumen                  | Total Volume                 | 294 L            |
| Capacidad Frigorífico          | Refrigerator Volume          | 294 L            |
| Consumo de energía             | Energy Consumption           | 112 kWh/año-year |
| Nivel de ruido acústico        | Noise level                  | 39 dBA           |
| Iluminación interior LED       | Interior LED Lighting        | Sí / Yes         |
| Clase Climática                | Climate Class                | Subtropical      |
| Peso máximo puerta panelable   | Maximum weight of panel door | 50 Kg            |

FUNCIONES: Modo vacaciones | Modo ECO | Modo Rápido | Modo Demo

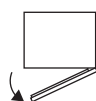


Condensador Trasero = Laterales Fríos  
Rear Condenser Coil = Cold Sides

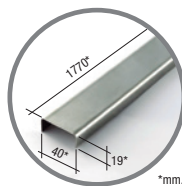
## PFBI FRIGO

Ref. 010336

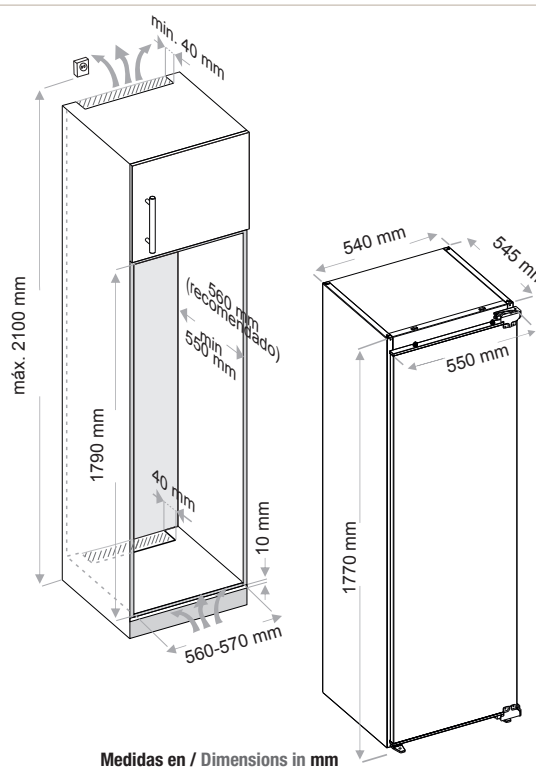
Composición / Composition: Side by Side



Apertura de serie **Derecha**  
Puerta reversible  
Standard opening **Right**  
Reversible door



**Opcional / Optional**  
Ref. 010463  
Perfil de unión Inox  
Stainless Steel + connecting profile



PFBI CONG + PFBI FRIGO  
Ref. 010337 Ref. 010336