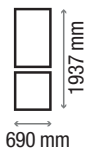




## PFBI XL COMBI

Ref. 010522

Frigorífico COMBI de integración panelable 194 x 69  
Built-in refrigerator COMBI for overlay decor panel 194 x 69



341 L  
Capacidad  
Capacity



UltraFresh  
Technology



Bisagra profesional.  
Puerta Fija  
Professional hinge.  
"Door-on-Door"



Iluminación LED  
pared trasera  
Back wall with LED  
backlight



257 L  
NO Frost  
Technology

84 L  
NO Frost  
Technology

75 cm  
Puerta mueble  
Cabinet door



### Características / Features

| Dimensiones producto (AlxAxF) | Product size (HxWxD)         | 1937x690x550 mm  |
|-------------------------------|------------------------------|------------------|
| Total Volumen                 | Total Volume                 | 341 L            |
| Capacidad Frigorífico         | Refrigerator Volume          | 257 L            |
| Capacidad Congelador          | Freezer Volume               | 84 L             |
| Consumo de energía            | Energy Consumption           | 250 kWh/año-year |
| Nivel de ruido acústico       | Noise level                  | 41 dBA           |
| Iluminación interior LED      | Interior LED Lighting        | Sí / Yes         |
| Clase Climática               | Climate Class                | Subtropical      |
| Peso máximo puerta panelable  | Maximum weight of panel door | 45 Kg            |

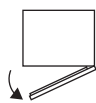


# PFBI XL COMBI

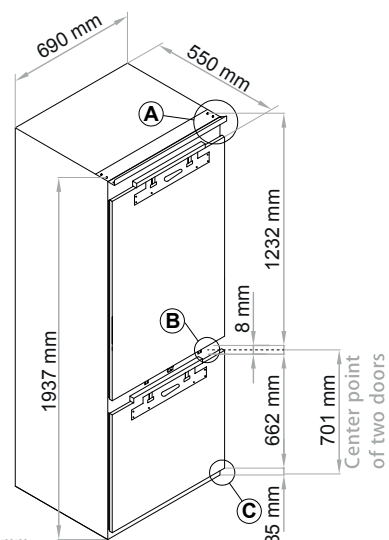
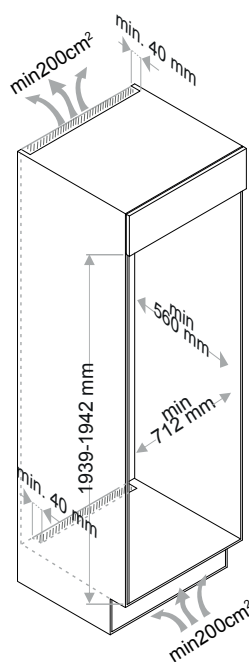
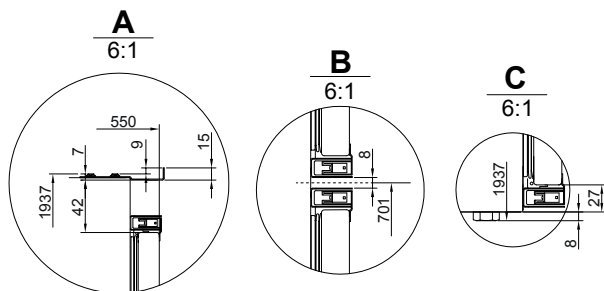
Ref. 010522



Condensador Trasero = Laterales Fríos  
Rear Condenser Coil = Cold Sides



Apertura de serie Derecha  
Puerta reversible  
Standard opening Right  
Reversible door



Medidas en / Dimensions in mm