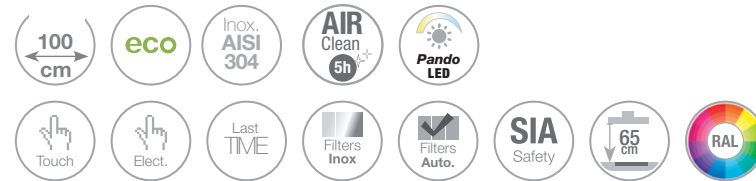




# I-960

Inox - Stainless Steel  
Cristal blanco óptico o cristal negro  
Optical white glass or black glass

A+



## Inox / Stainless Steel

### Motor Interior / Interior Motor S.E.C. System®

Front. (cm)	Motor	Ø tubo	Clas. Ener.	Ref.
100	V.1250 eco	Ø150	A+	9518

### Motor Intermedio Exterior / Duct-in-line motor

Front. (cm)	Motor	Ø tubo	Clas. Ener.	Ref.
100	V.1550 eco	Ø150	A+	9519

## Cristal negro / Black glass

### Motor Interior / Interior Motor S.E.C. System®

Front. (cm)	Motor	Ø tubo	Clas. Ener.	Ref.
100	V.1250 eco	Ø150	A+	9522

### Motor Intermedio Exterior / Duct-in-line motor

Front. (cm)	Motor	Ø tubo	Clas. Ener.	Ref.
100	V.1550 eco	Ø150	A+	9523

## Cristal blanco óptico / Optical white glass

### Motor Interior / Interior Motor S.E.C. System®

Front. (cm)	Motor	Ø tubo	Clas. Ener.	Ref.
100	V.1250 eco	Ø150	A+	9520

### Motor Intermedio Exterior / Duct-in-line motor

Front. (cm)	Motor	Ø tubo	Clas. Ener.	Ref.
100	V.1550 eco	Ø150	A+	9521

## Opcionales / Options

### AirLink

Modelo compatible. Es imprescindible solicitar esta opción en el pedido de la campana. No se equipa de serie.  
Compatible Model. This option must be requested together with the purchase order. Is not included as standard.

Kits de recirculación FCLR-AE. Ver página 206  
Activated carbon filters kit. FCLR-AE. See page 206

Mando a distancia Touch. Suministrado con la campana.  
Remote Control Touch supplied together with the hood.

Embellecedor a techo. Ref. 7116  
Ceiling trim. Ref. 7116.

Juego de tubos hasta altura total de 1500 mm  
Set of chimneys to a total height of 1500 mm

Juego de tubos hasta altura total de entre 1501 y 2000 mm  
Set of chimneys to a total height of between 1501 and 2000 mm

Soporte falso techo regulable de 150 a 240 mm. Ref. 7972  
False ceiling support adjustable from 150 to 240 mm. Ref. 7972

Soporte falso techo regulable de 250 a 440 mm. Ref. 7973  
False ceiling support adjustable from 250 to 440 mm. Ref. 7973

## Notas / Notes

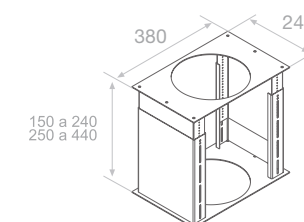
### AirClean

Sistema automático de funcionamiento del motor 10 min. cada hora durante 5 horas.  
Automatic working motor system for 10 minutes every hour during 5 hours.

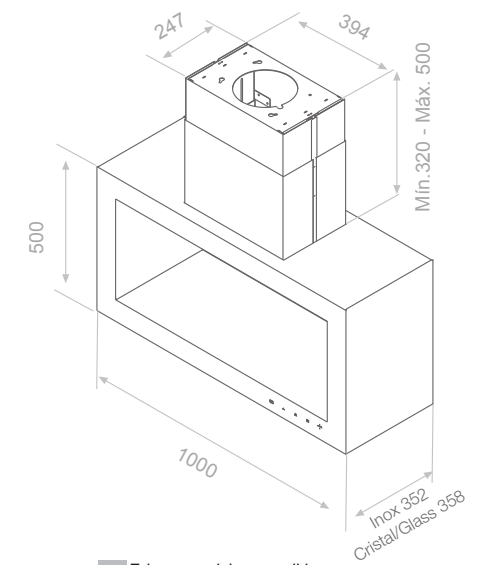
Apto sólo para encimeras de máximo 900 x 350 mm.  
Recommended only for hobs of a maximum of 900 x 350 mm

## Esquema medidas / Technical Drawings

# I-960



Soporte falso techo regulable.  
Adjustable false ceiling support.



Tubos especiales a medida  
Special custom-made chimneys