

New  
Collection



Negro satinado / Black Satin



Blanco / White



Oro / Gold



Cobre / Copper



SKYRING LIGHT

## SKYRING / SKYRING LIGHT Policarbonato traslúcido Blanco White translucent Polycarbonate

|  |  |  |  |  |                               |
|--|--|--|--|--|-------------------------------|
|  |  |  |  |  | <b>Opcionales* / Options*</b> |
|  |  |  |  |  |                               |

### SKYRING S.E.C. System® Interior / Interior

| Color                    | Motor           | Ø tubo | Clas. Ener. | Ref.   |
|--------------------------|-----------------|--------|-------------|--------|
| Plata / Silver           | V.1130 eco PLUS | Ø150   | B           | 010004 |
| Oro / Gold               | V.1130 eco PLUS | Ø150   | B           | 010005 |
| Cobre / Copper           | V.1130 eco PLUS | Ø150   | B           | 010006 |
| Blanco / White           | V.1130 eco PLUS | Ø150   | B           | 010007 |
| Negro Sat. / Black Satin | V.1130 eco PLUS | Ø150   | B           | 010008 |

### SKYRING Intermedio exterior / Duct-in-line motor

| Color                    | Motor      | Ø tubo | Clas. Ener. | Ref.   |
|--------------------------|------------|--------|-------------|--------|
| Plata / Silver           | V.1550 eco | Ø150   | A           | 010009 |
| Oro / Gold               | V.1550 eco | Ø150   | A           | 010010 |
| Cobre / Copper           | V.1550 eco | Ø150   | A           | 010011 |
| Blanco / White           | V.1550 eco | Ø150   | A           | 010012 |
| Negro Sat. / Black Satin | V.1550 eco | Ø150   | A           | 010013 |

### SKYRING LIGHT S.E.C. System® Interior / Interior

| Color  | Motor           | Ø tubo | Clas. Ener. | Ref.   |
|--------|-----------------|--------|-------------|--------|
| Blanco | V.1130 eco PLUS | Ø150   | B           | 010795 |

### SKYRING LIGHT Intermedio exterior / Duct-in-line motor

| Color  | Motor      | Ø tubo | Clas. Ener. | Ref.   |
|--------|------------|--------|-------------|--------|
| Blanco | V.1550 eco | Ø150   | A           | 010796 |

### Opcionales\* / Options\*

#### AirLink

Modelo compatible. No se equipa de serie. Imprescindible solicitar en pedido. Compatible Model. Is not included as standard. Must be ordered.

(\*) Los opcionales se suministrarán junto con la campana. Indicar claramente "OPCIONAL" en el pedido e introducir los datos de forma clara.

(\*) The optionals will be supplied together with the cooker hood. Indicate clearly 'OPTIONAL' in the order and enter the data clearly.

#### Kit cables / kit cables

L: 2500 mm 500050400126

L: 4000 mm 500050400127

#### Kits de recirculación / Activated carbon filters kit:

| Front. (cm). | Tipo    | Ref.    |
|--------------|---------|---------|
| 54           | FCRL-AE | 1200226 |



Mando a distancia  
Remote Touch Control  
Ref. 620062200478



## SKYRING / SKYRING LIGHT

### Notas / Notes

**SKYRING** Iluminación circular LED 14W  
**SKYRING** Circular 14W LED Lighting

**SKYRING LIGHT** Iluminación circular LED 10W  
**SKYRING LIGHT** Circular 10W LED Lighting

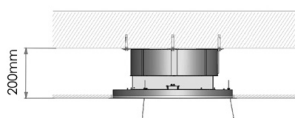
Altura estándar del cable 1560 mm.  
 Standard Cable length 1560 mm.



Para otras alturas, consultar con nuestra división técnica.  
 For other heights, please check with our Technical department.

**Zona de cocción recomendada:**  
 Modular 30-40 cm | Compacta máx. 60 cm

**Recommended Cooktop:**  
 Modular 30-40 cm | Compact: Max 60 cm



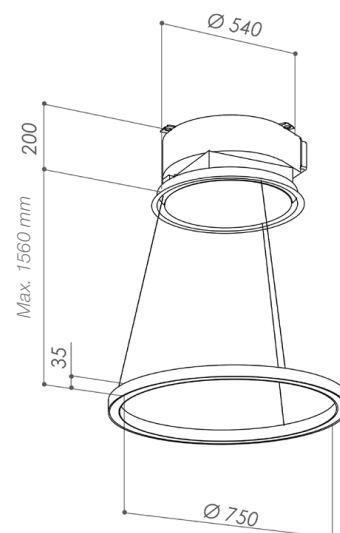
**Regulación de medida en falso  
 techo de 200 a 300 mm.**  
 200-300 mm False Ceiling regulation

**Altura mínima falso techo**  
**Minimum height of false ceiling**

|            |        |
|------------|--------|
| Motor Int. | 200 mm |
| Motor Ext. | 200 mm |

**Medidas Encastre**  
**Built in Sizes**

|        |            |
|--------|------------|
| 75 cm  | Ø510 mm    |
| 120 cm | 1160 x 515 |



**Medidas en / Dimensions in mm**