

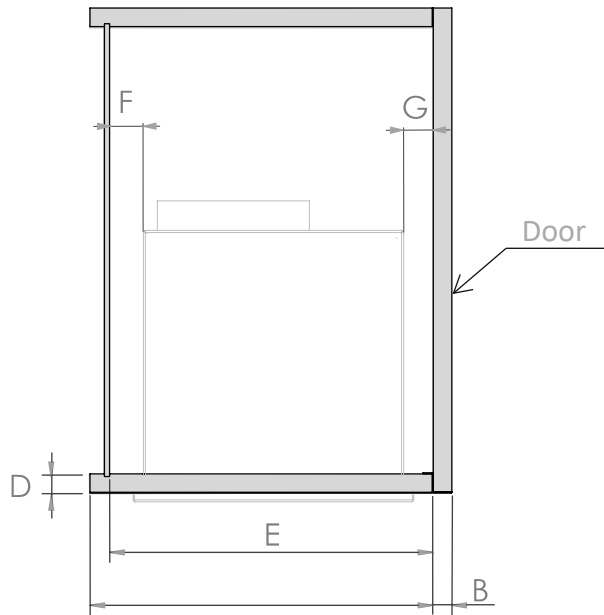
FILTERING UNIT MODEL

PRO 520 850 1000 **GRV** 520 780
EVO 580 780 948 1116 1285 **GR05** 600 900
GTI 510 725 810 1110 1280 **BGF** 600 800
NCR 520 780 1110 **PGF** 600 700
NEO 520 780

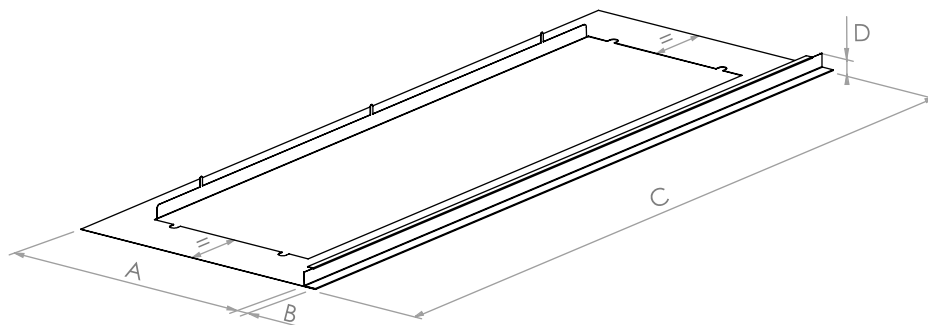
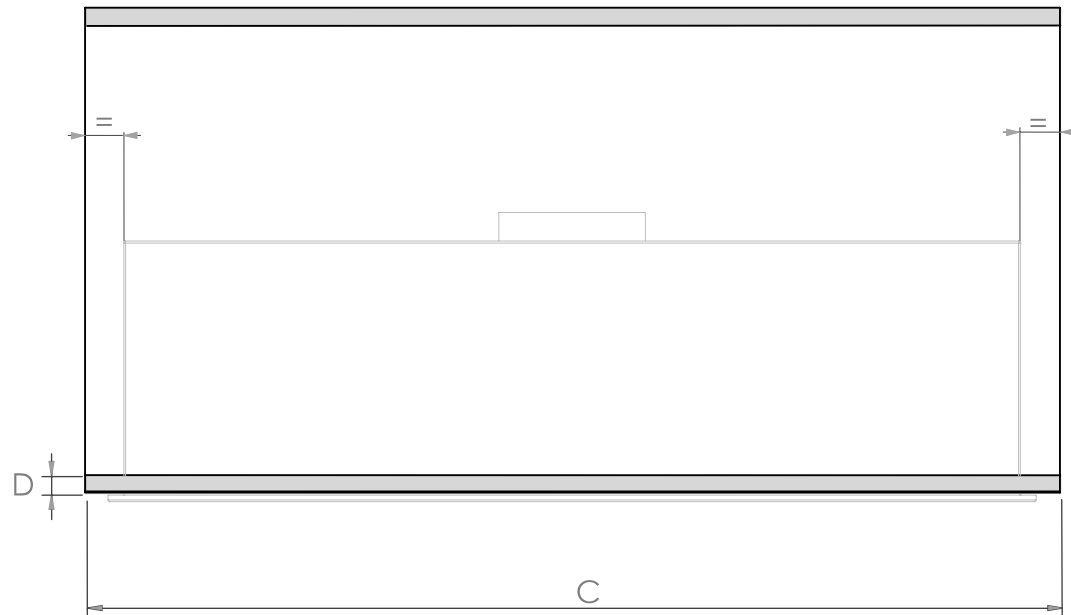
STAINLESS STEEL BASE DIMENSIONS

A. EXTERNAL FURNITURE DEPTH _____ D. PANEL THICKNESS _____
 B. DOOR THICKNESS _____ E. INTERNAL FURNITURE DEPTH _____
 C. FURNITURE WIDTH
 FRONT FLAP YES NO
 FILTERING GROUP DEPTH CENTERED YES NO* F: _____
 *INDICATE MEASUREMENTS F AND G WHEN TICKING THE BOX G: _____

SIDE VIEW



FRONT VIEW



| | |
|----------------------|---------------|
| MANUFACTURING ORDER: | CUSTOMER: |
| MODEL: | CUSTOMER REF: |
| BASE INOX | DATE: |

Pando
INOXPAN S.L.
 TECHNICAL OFFICE DEPARTMENT

Pol . Ind. El Cros
 Av. Molí de les Mateves, 11
 08310 Argentona
 (Barcelona) España
 Tel. 34 / 93 757 94 11
 Fax. 34/ 93 757 96 53